

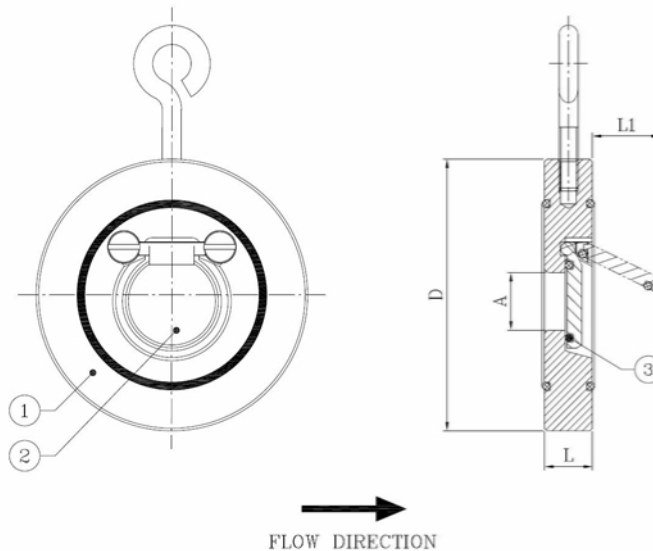
BV38-4545E-PN10/PN16

Wafer type swing check valve, mounting between flanges PN10/16

Face to Face Standard: Factory standard



| Item Number | Belven Ref |
|-------------|-----------------------|
| 383055N0032 | BV38-4545E-PN16-DN032 |
| 383055N0040 | BV38-4545E-PN16-DN040 |
| 383055N0050 | BV38-4545E-PN16-DN050 |
| 383055N0065 | BV38-4545E-PN16-DN065 |
| 383055N0080 | BV38-4545E-PN16-DN080 |
| 383055N0100 | BV38-4545E-PN16-DN100 |
| 383055N0125 | BV38-4545E-PN16-DN125 |
| 383055N0150 | BV38-4545E-PN16-DN150 |
| 383055N0200 | BV38-4545E-PN16-DN200 |



| DN/Size | A | D | L | L1 | Press.Cl. | Weight(kg) |
|---------------|-----|-----|----|-----|-----------|------------|
| DN32 (1 1/4") | 18 | 85 | 15 | 22 | PN16 | 0.60 |
| DN40 (1 1/2") | 22 | 95 | 16 | 25 | PN16 | 0.80 |
| DN50 (2") | 32 | 109 | 14 | 37 | PN16 | 0.90 |
| DN65 (2 1/2") | 40 | 129 | 14 | 50 | PN16 | 1.20 |
| DN80 (3") | 54 | 144 | 14 | 61 | PN16 | 1.50 |
| DN100 (4") | 70 | 164 | 18 | 77 | PN16 | 2.40 |
| DN125 (5") | 92 | 195 | 18 | 98 | PN16 | 3.30 |
| DN150 (6") | 112 | 220 | 20 | 120 | PN16 | 4.60 |
| DN200 (8") | 154 | 275 | 22 | 160 | PN16 | 7.70 |

| Item 1 | Item 2 | Item 3 |
|---|---|---------------|
| Body Material | Disc Material | Seat Material |
| Carbon steel : 1.0619 (WCB) zinc plated | Carbon steel : 1.0619 (WCB) zinc plated | EPDM |

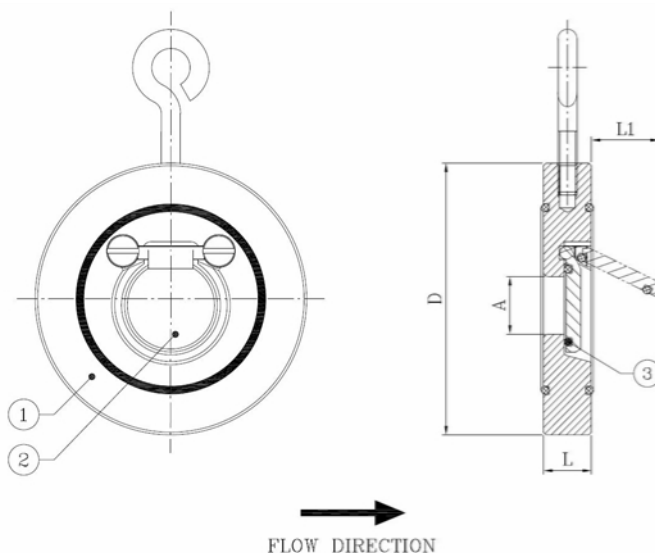
BV38-4545E-PN10

Wafer type swing check valve, mounting between flanges PN10

Face to Face Standard: Factory standard



| Item Number | Belven Ref |
|-------------|-----------------------|
| 382055N0250 | BV38-4545E-PN10-DN250 |
| 382055N0300 | BV38-4545E-PN10-DN300 |
| 382055N0350 | BV38-4545E-PN10-DN350 |
| 382055N0400 | BV38-4545E-PN10-DN400 |
| 382055N0450 | BV38-4545E-PN10-DN450 |
| 382055N0500 | BV38-4545E-PN10-DN500 |
| 382055N0600 | BV38-4545E-PN10-DN600 |



| DN/Size | A | D | L | L1 | Press.Cl. | Weight(kg) |
|-------------|-----|-----|----|-----|-----------|------------|
| DN250 (10") | 192 | 330 | 26 | 190 | PN10 | 12.60 |
| DN300 (12") | 227 | 380 | 32 | 220 | PN10 | 20.50 |
| DN350 (14") | 266 | 440 | 38 | 250 | PN10 | 33.50 |
| DN400 (16") | 310 | 491 | 44 | 290 | PN10 | 52.00 |
| DN450 (18") | 350 | 541 | 52 | 340 | PN10 | 71.00 |
| DN500 (20") | 400 | 596 | 58 | 390 | PN10 | 94.00 |
| DN600 (24") | 486 | 698 | 62 | 470 | PN10 | 128.00 |

| Item 1 | Item 2 | Item 3 |
|---|---|---------------|
| Body Material | Disc Material | Seat Material |
| Carbon steel : 1.0619 (WCB) zinc plated | Carbon steel : 1.0619 (WCB) zinc plated | EPDM |

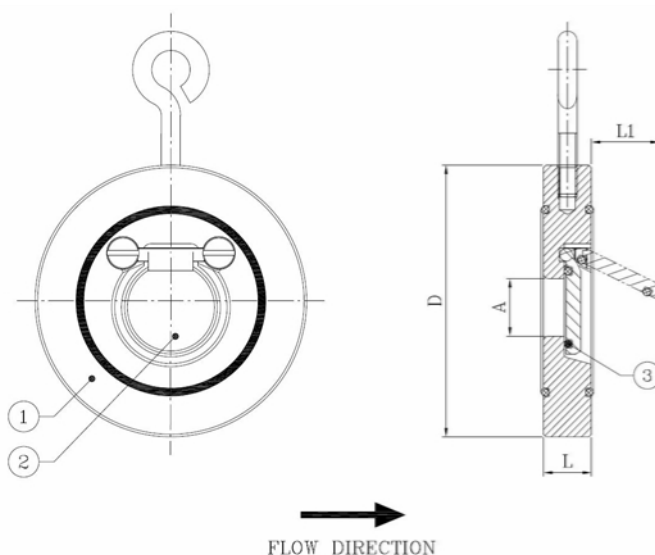
BV38-4545E-PN16

Wafer type swing check valve, mounting between flanges PN16

Face to Face Standard: Factory standard



| Item Number | Belven Ref |
|-------------|-----------------------|
| 383055N0250 | BV38-4545E-PN16-DN250 |
| 383055N0300 | BV38-4545E-PN16-DN300 |



| DN/Size | A | D | L | L1 | Press.Cl. | Weight(kg) |
|-------------|-----|-----|----|-----|-----------|------------|
| DN250 (10") | 192 | 331 | 26 | 190 | PN16 | 13.10 |
| DN300 (12") | 227 | 386 | 32 | 220 | PN16 | 21.00 |

| Item 1 | Item 2 | Item 3 |
|---|---|----------------------|
| <i>Body Material</i> | <i>Disc Material</i> | <i>Seat Material</i> |
| Carbon steel : 1.0619 (WCB) zinc plated | Carbon steel : 1.0619 (WCB) zinc plated | EPDM |